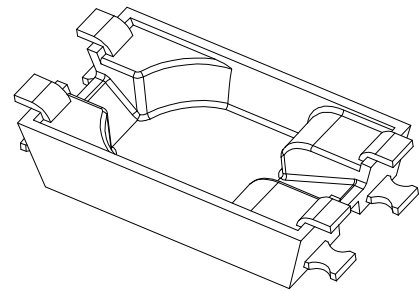
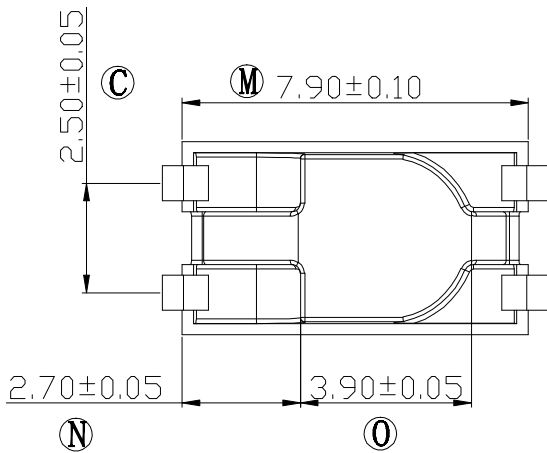
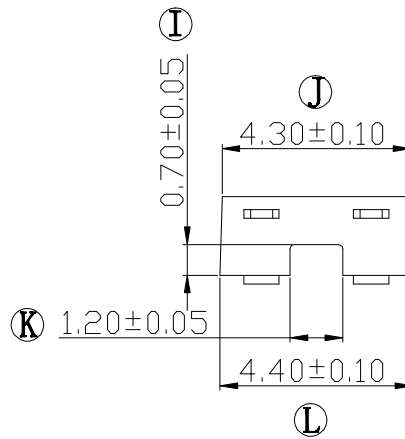
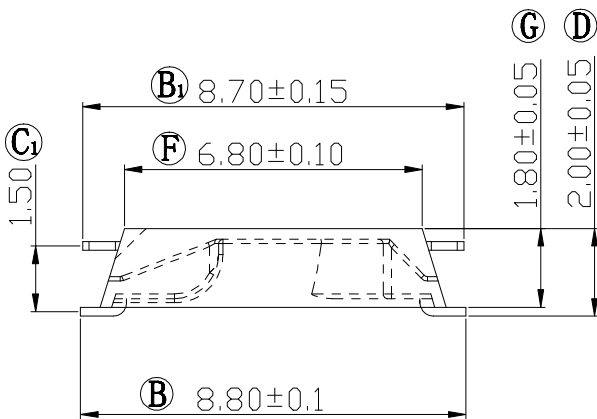
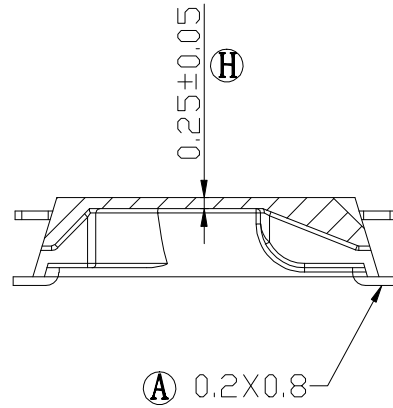
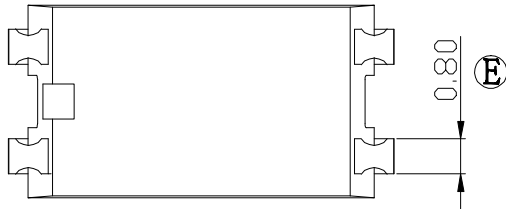



Build up your trust



TITLE:	SMD BASE 4PIN	TOLERANCES		BOBBIN MATERIAL:	UL REC.
DRAWING NO:	GS-SB003	0<L≤4 ±0.1	PIN PITCH ±0.1	DAP WH9100	UL 94V-0
 建信電子制品有限公司 GEMSTONE ELECTRONIC PRODUCTS CO., LTD. ADD: 廣東省東莞市石排鎮石崇大道 TEL: (0769) 86514918, 86514919 FAX: 86514878		4<L≤16 ±0.2		PIN MATERIAL:	PIN TENSION LOAD:
		16<L≤63 ±0.3		PHOSPHOR BRONZE	1.5KG MIN
		UNIT: MM	SCALE: 5/1	ANGLE: ±1°	DATE: 2007/03/27
		DRAWN: XU ZHAN		CHECK: XU ZHAN	REV: A0
				CHECK: XU ZHAN	APPROVED:

REV.	PORTION.	BEFORE REV.	AFTER REV.