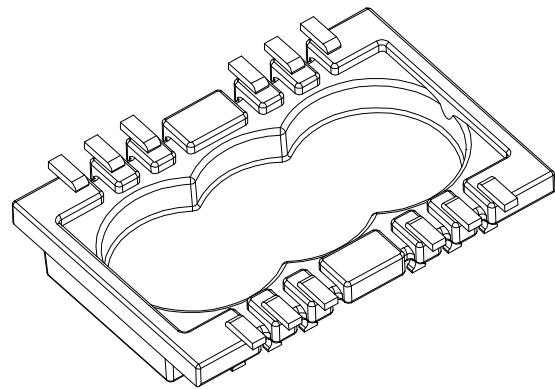
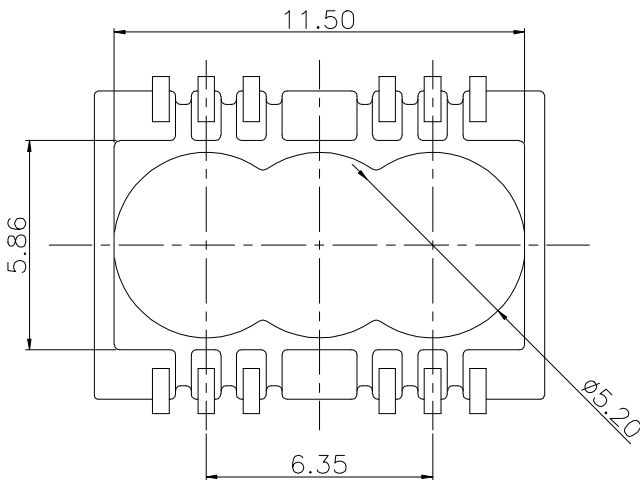
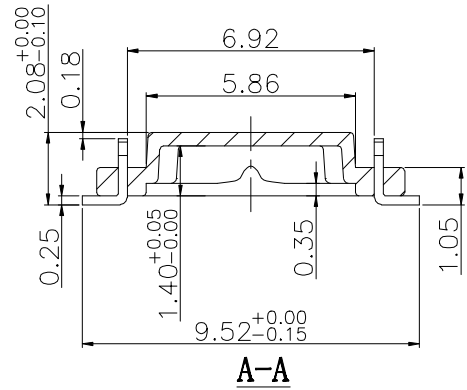
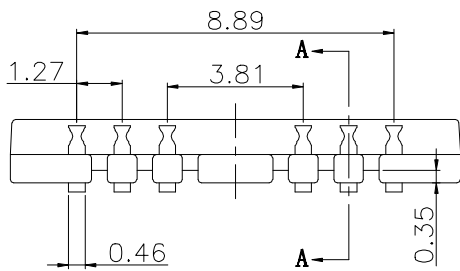
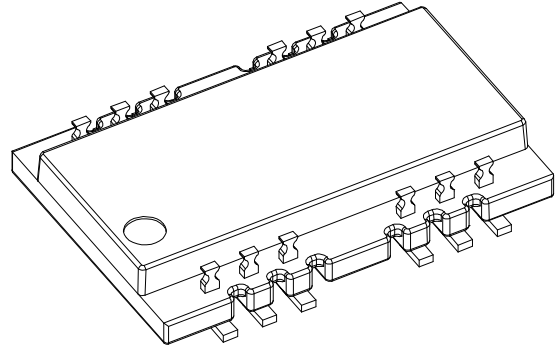
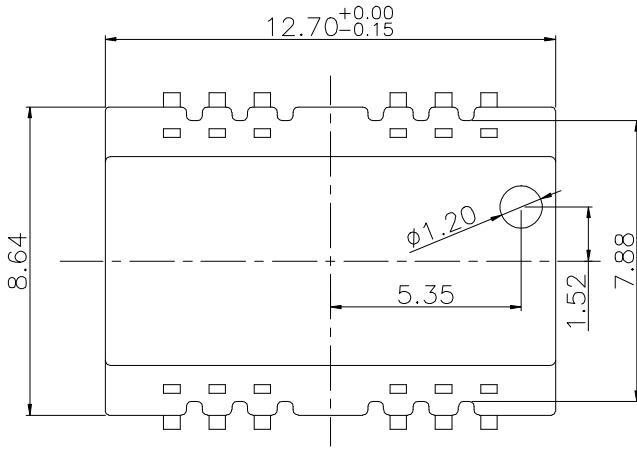



Build up your trust



TITLE: SMD BASE 12PIN		TOLERANCES		BOBBIN MATERIAL: DAP AM113		UL REC. UL 94V-0	
DRAWING NO: GS-SB004		±0.10	PIN PITCH ±0.2	PIN MATERIAL: C5191		PIN TENSION LOAD: 1.0kg MIN	
 <b>建信電子制品有限公司</b> GEMSTONE ELECTRONIC PRODUCTS CO., LTD. ADD: 廣東省東莞市石排鎮石崇大道 TEL: (0769) 86514918, 86514919 FAX: 86514878		UNIT: MM	SCALE: 5/1	ANGLE: ±1°	DATE: 2008/08/14	REV: A0	
		DRAWN: XU ZHAN		CHECK: XU ZHAN		APPROVED:	

REV.	PORTION.	BEFORE REV.	AFTER REV.