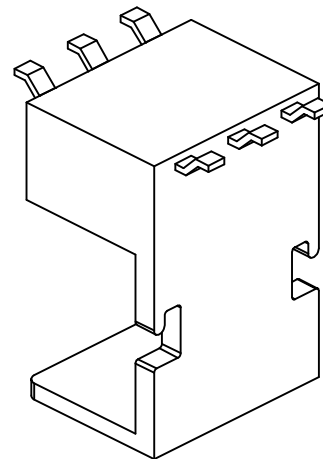
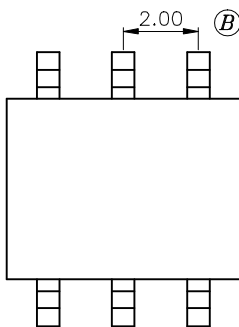
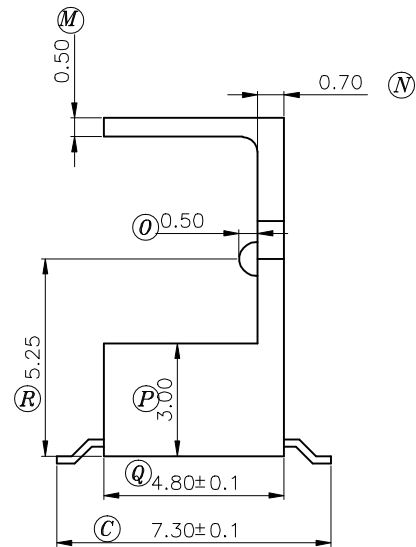
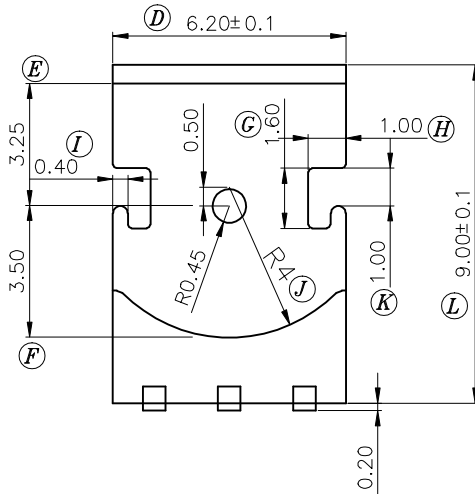
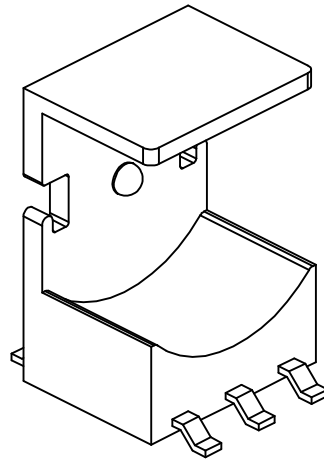
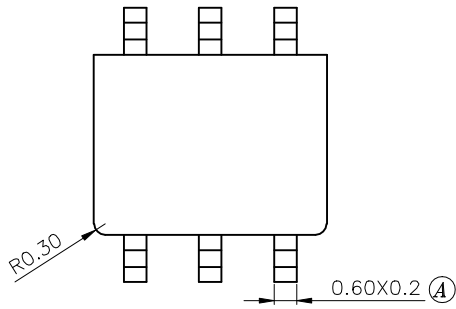


Build up your trust



TITLE: SMD BASE 6PIN		TOLERANCES		BOBBIN MATERIAL: PET FR530		UL REC. UL 94V-0	
DRAWING NO: GS-SB005		0<L≤6 ±0.05	PIN PITCH ±0.2	PIN MATERIAL: PHOSPHOR BRONZE		PIN TENSION LOAD: 1.5KG MIN	
 建信電子制品有限公司 GEMSTONE ELECTRONIC PRODUCTS CO., LTD. ADD: 廣東省東莞市石排鎮石崇大道 TEL: (0769)86514918, 86514919 FAX:86514878		UNIT: MM	SCALE: 5/1	ANGLE: ±1°	DATE: 2009/4/9	REV: A1	
		DRAWN: XU ZHAN		CHECK: XU ZHAN		APPROVED:	

REV.	PORTION.	BEFORE REV.	AFTER REV.