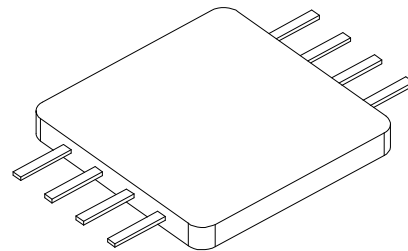
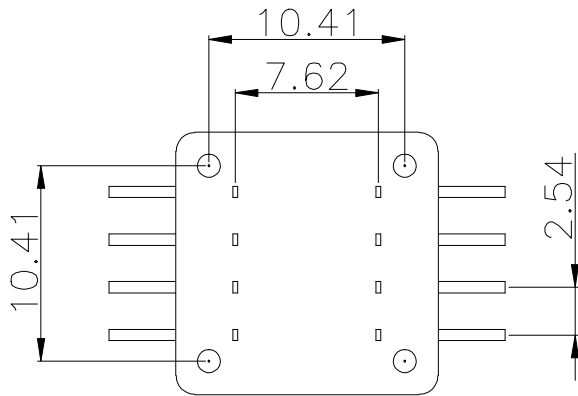
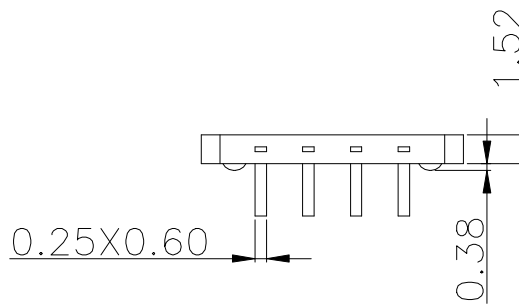
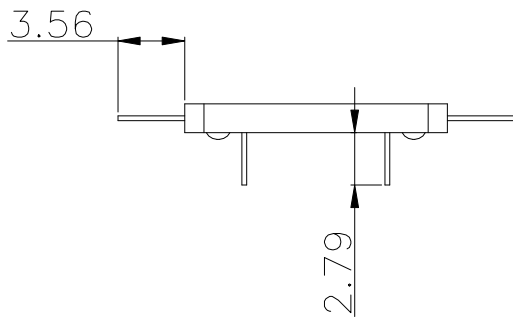
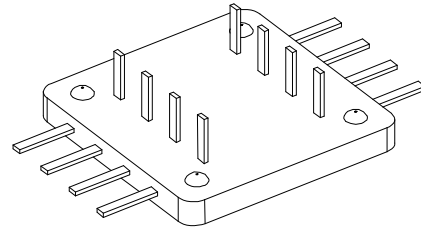
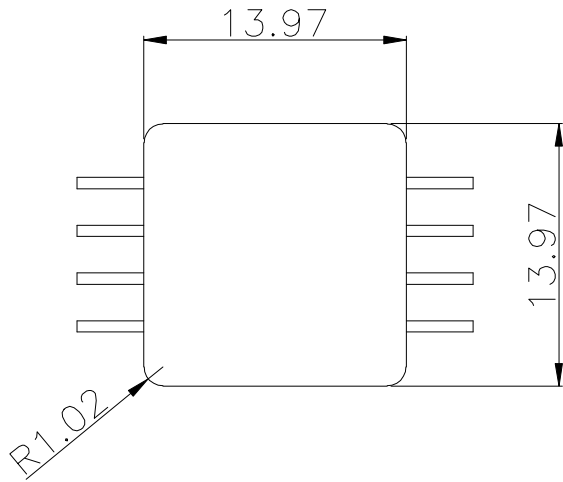



Build up your trust



TITLE: SMD BASE 8PIN	TOLERANCES		BOBBIN MATERIAL: DAP WH9100 or DAP 5562		UL REC. UL 94V-0
	0<L≤4 ±0.1	PIN PITCH ±0.2	PIN MATERIAL: C5191 or ALLOY 42		PIN TENSION LOAD: 1.0kg MIN
DRAWING NO: GS-SB006	4<L≤16 ±0.2		UNIT: MM	SCALE: 2.5/1	ANGLE: ±1°
 建信電子制品有限公司 GEMSTONE ELECTRONIC PRODUCTS CO.,LTD. ADD: 廣東省東莞市石排鎮石崇大道 TEL: (0769) 86514918, 86514919 FAX: 86514878	16<L≤63 ±0.3	DRAWN:	CHECK:	APPROVED:	REV: A1
		XU ZHAN	XU ZHAN		

REV.	PORTION.	BEFORE REV.	AFTER REV.