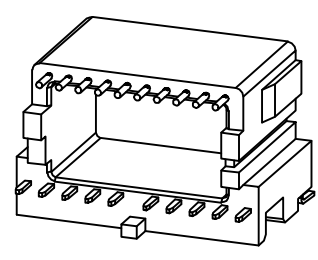
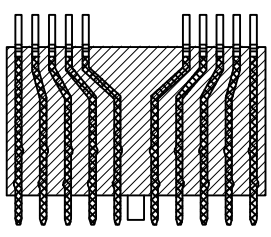
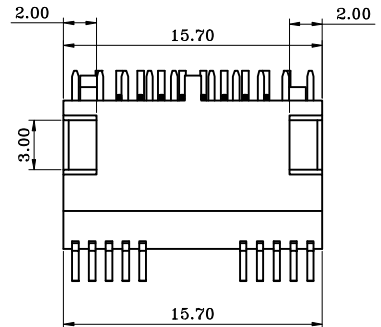
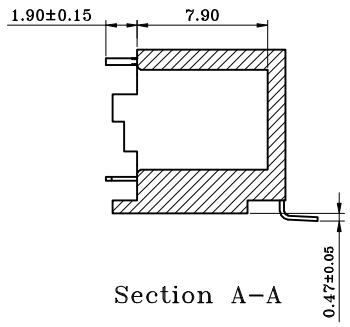
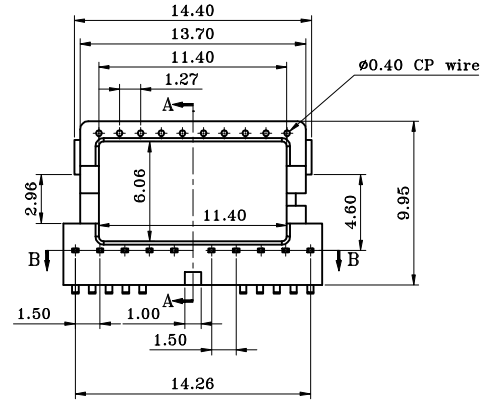
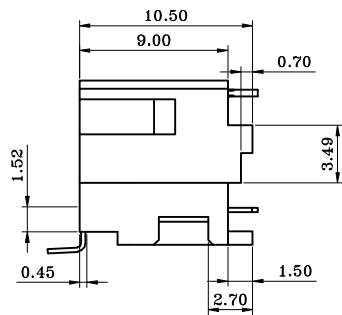
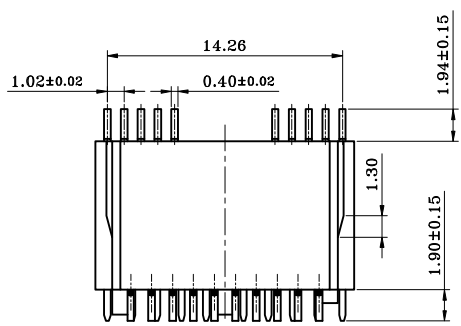
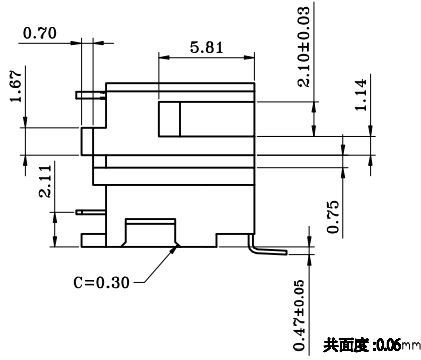


Build up your trust



TITLE: 10/100 BASE-T SMT RJ45		TOLERANCES		BOBBIN MATERIAL: PM9820 (BK)		UL REC: UL 94V-0	
DRAWING NO: GS-SC001		± 0.05 MM	PIN PITCH ±0.1	PIN MATERIAL: CP WIRE/C5191-H		PIN TENSION LOAD: 1.0kg MIN	
建信電子制品有限公司 GEMSTONE ELECTRONIC PRODUCTS CO., LTD. ADD: 廣東省東莞市石排鎮石崇大道 TEL: (0769)86514918, 86514919 FAX:86514878	UNIT: MM	SCALE: 1/1	ANGLE: ±1°	DATE: 2010/06/08	REV: A0		
	DRAWN: L. W		CHECK: XU ZHAN		APPROVED:		

REV.	PORTION.	BEFORE REV.	AFTER REV.