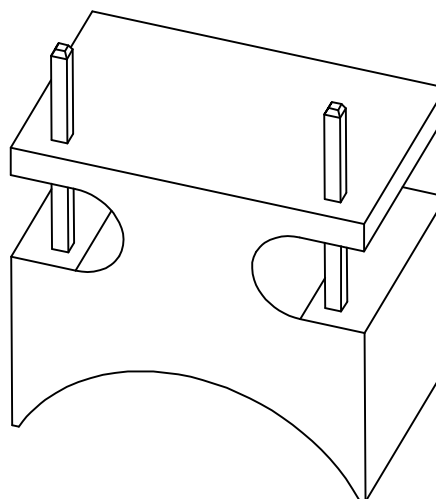
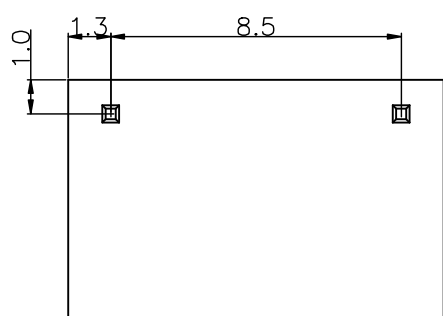
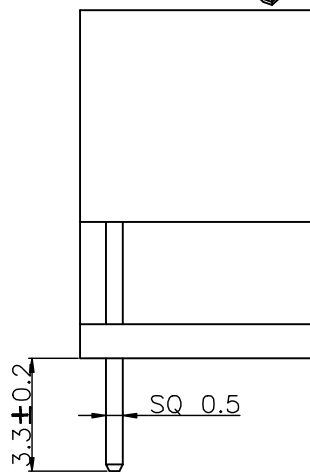
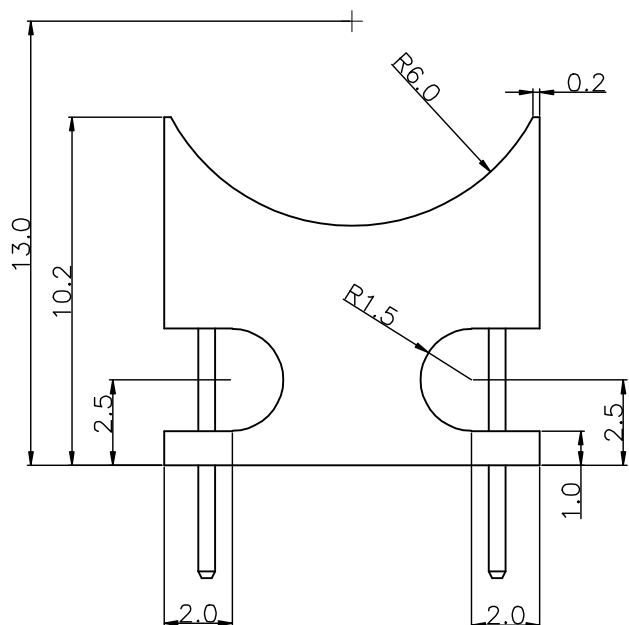
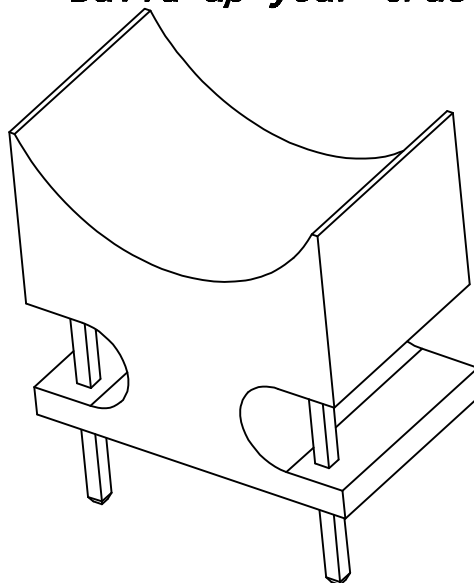
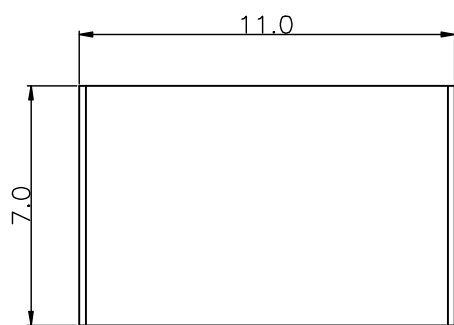



Build up your trust



TITLE: BASE 2PIN		TOLERANCES		BOBBIN MATERIAL: PET FR530		UL REC. UL 94V-0	
DRAWING NO: 10008130 (GS-B049)		0<L≤4 ±0.1	PIN PITCH ±0.2	PIN MATERIAL: HALF-HARD BRASS		PIN TENSION LOAD: 0.8kg MIN	
		4<L≤16 ±0.2					
 建信電子制品有限公司 GEMSTONE ELECTRONIC PRODUCTS CO., LTD.		UNIT: MM	SCALE: 5/1	ANGLE: ±1°	DATE: 2011/12/29	REV: A0	
ADD: 廣東省東莞市石排鎮石崇大道 TEL: (0769)86514918, 86514919 FAX: 86514878		DRAWN: QIU		CHECK: XU ZHAN		APPROVED:	

REV.	PORTION.	BEFORE REV.	AFTER REV.