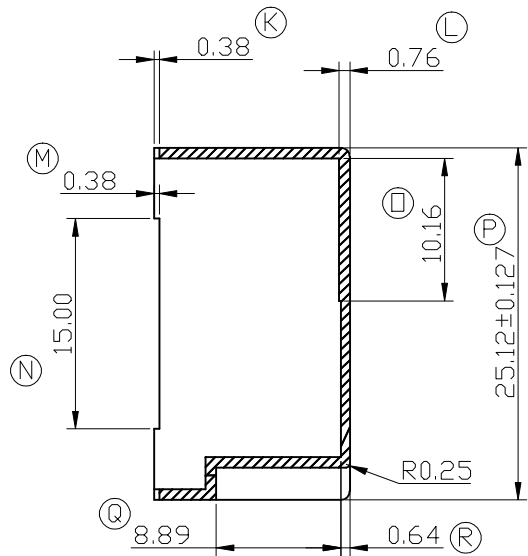
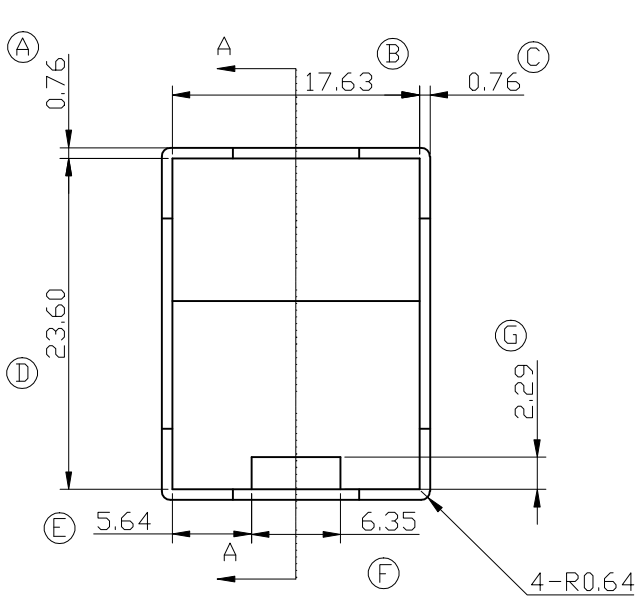
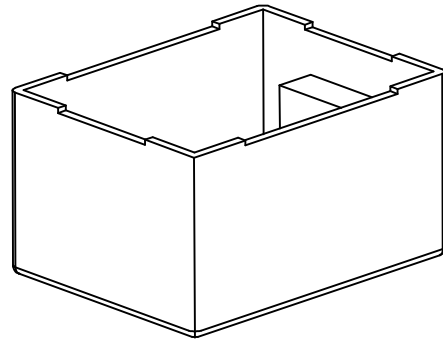
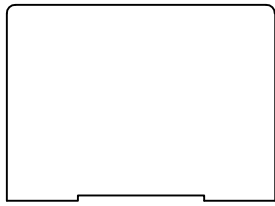
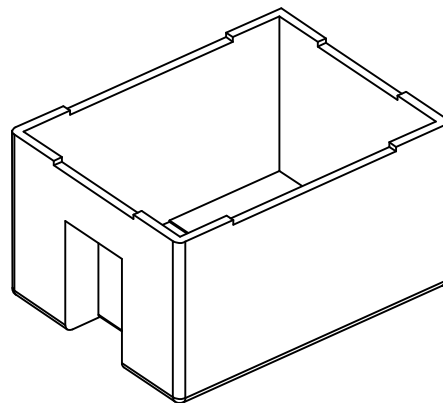
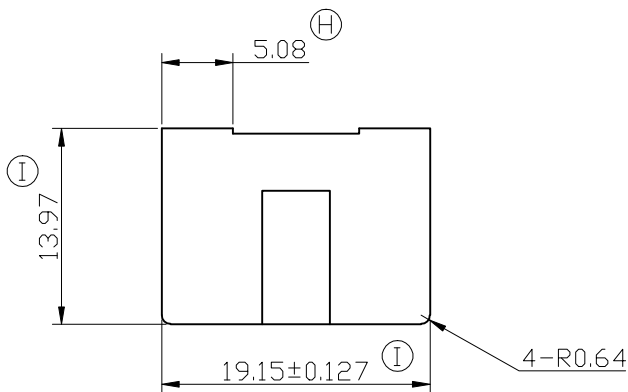



Build up your trust



剖面A-A



TITLE: BOBBIN CASE (NO PIN)		TOLERANCES		BOBBIN MATERIAL: PA66 FR50 (BK)		UL REC. UL 94V-0	
DRAWING NO: GS-C019		±0.13		PIN MATERIAL:		PIN TENSION LOAD:	
 建信電子制品有限公司 GEMSTONE ELECTRONIC PRODUCTS CO., LTD. ADD: 廣東省東莞市石排鎮石崇大道 TEL: (0769) 86514918, 86514919 FAX: 86514878		UNIT: MM	SCALE: 2/1	ANGLE: ±1°	DATE: 2006/12/21	REV: A0	
		DRAWN: Wang Ren Jun		CHECK: XU ZHAN		APPROVED:	

REV.	PORTION.	BEFORE REV.	AFTER REV.